

M202

200-lb Capacity OPL Dryer

Standard Features:

- 200-lb. capacity
- 61.20 cu. ft. volume
- 590,000 Btu/hr heat input and 4,200 cfm
- Radial airflow
- Easy to load vertical steel doors
- Self diagnostic microprocessor with patented auto drying feature
- Easy access to lint compartment
- Available in gas and steam heat
- Reversing basket
- Four-Point Roller Support and Drive System
- Stainless Steel Basket with removable panels

Optional Features:

- Stainless steel front and cabinet
- F.S.S. (Fire Suppression System)



M202 OPL Dryer

Why Purchase Milnor M202?

Engineer Driven Design That is Built to Last

Our dryers showcase an engineer-driven approach to design. Bearings are permanently lubricated on the motor and drive system. There are no chains used; rather, we use V-belts and pulleys for smooth, quiet, and trouble free operation. Our dryer cabinets are electrostatically powder-painted inside and out then baked at 420-degrees fahrenheit before final assembly - ensuring the hardest surface and the longest lasting finish in the industry.

Rugged Steel Vertical Doors with Heavy-Duty Pulley System

Our heavy-duty steel door design provides ease of use for loading and unloading utilizing a counter balanced pulley system to ensure simple open and close operation.

A gasket-less door glass panel provides security and durability versus rubber type gaskets.

Easy-to-Read, Multilingual Controls

ADC continues to apply innovative technology to dryer operation. Our state of the art microprocessor with auto-dry capabilities, easy-to-read LED screens and our user friendly multilingual interface positions Milnor as a leader in the laundry industry.

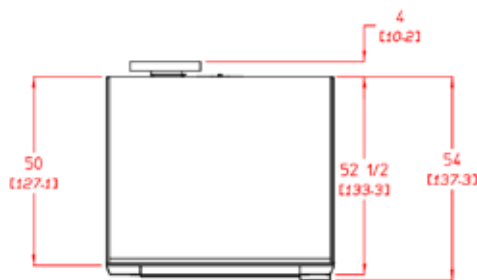
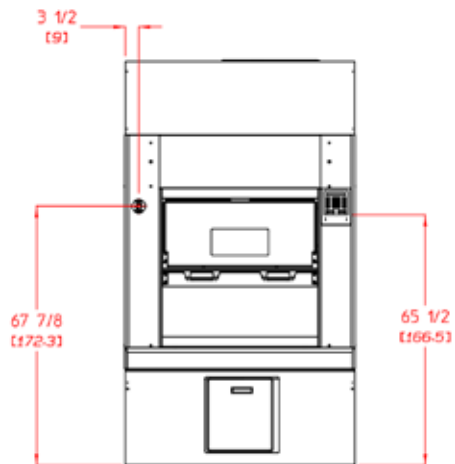
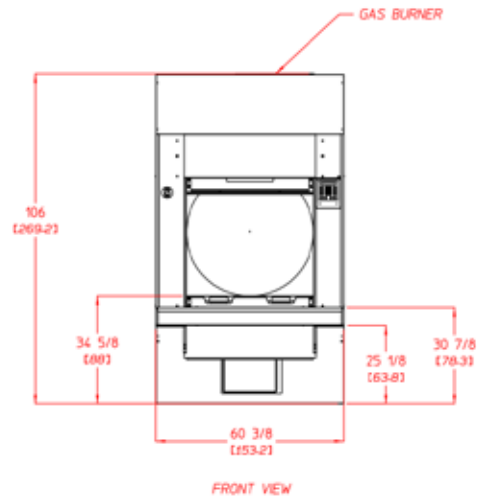
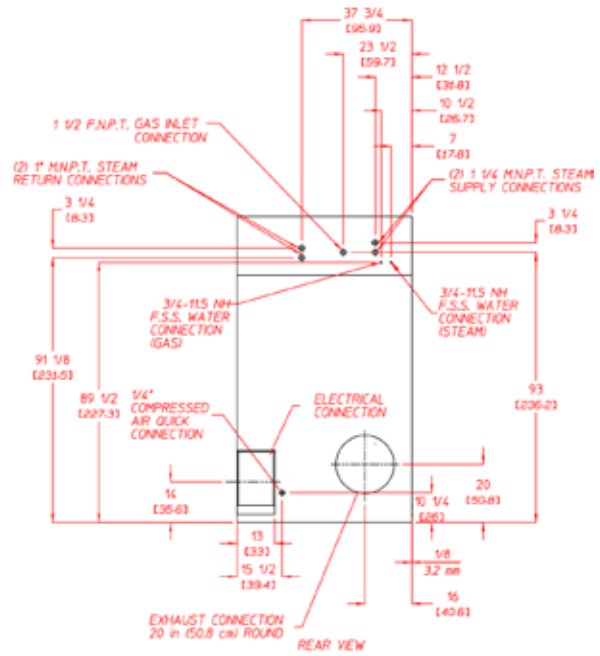
Your local Milnor independent authorized distributor



M202

M202 Specifications		
Tumbler Capacity (dry weight)	200 lbs. (90.72 kg)	
Tumbler Diameter	55-5/8" (141.29 cm)	
Tumbler Depth	43-1/2" (110.49 cm)	
Tumbler Volume	61.20 cu ft (1732.99 L)	
Tumbler/Drive Motor	3 hp (2.24 kW)	
Blower/Fan Motor	7-1/2 hp (5.59 kW)	
Door Opening (Diameter) (Round)	31-3/8" (79.71 cm)	
Door Sill Height (Round)	39-1/2" (100.33 cm)	
Door Opening (Diameter) (Vertical)	40-3/4" (103.50 cm)	
Door Sill Height (Vertical)	34-5/8" (87.95 cm)	
Water Connection	3/4" - 11.5 NH	
Dryers per 20'/40' Container	3 / 7	
Dryers per 48'/53' Truck	8 / 8	
Width	60-3/8"	
Depth	54"	
Height	106"	
GAS	Voltage Available	208-575v 3ø 3,4w 50/60 Hz
	Approx. Net Weight	2,100 lb (952.54 kg)
	Approx. Shipping Weight	2,166 lb (982.48 kg)
	Airflow 50/60 Hz	4,200 cfm (118.9 cmm)
	Heat Input	590,000 Btu/hr (148,678 kcal/hr)
	Exhaust Connection (Diameter)	20" (50.80 cm)
	Compressed Air Connection	1/4" Quick Connection
	Compressed Air Volume	4.25 cfh (0.12 cmh)
	Inlet Pipe Connection	1-1/2" F.N.P.T.
	ELECTRIC	Voltage Available
Approx. Net Weight		
Approx. Shipping Weight		
Airflow		
Exhaust Connection (Diameter)		
Compressed Air Connection		
Compressed Air Volume		
Oven Size		
kW	Btu/hr	kcal/hr
STEAM	Voltage Available	208-575v 3ø 3,4w 50/60 Hz
	Approx. Net Weight	2,349 lb (1,065.49 kg)
	Approx. Shipping Weight	2,515 lb (1,140.78 kg)
	Airflow 50/60 Hz	4,400 cfm (124.59 cmm)
	Steam Consumption	465 lb/hr (210.9 kg/hr)
	Operating Steam Pressure	125 psi max (8.62 bar)
	Exhaust Connection (Diameter)	20" (50.80 cm)
	Compressed Air Connection	1/4" Quick Connection
	Compressed Air Volume	4.25 cfh (0.12 cmh)
	Boiler HP (Normal Load)	14.5 Bhp
Standard Supply Connections*	(2) 1-1/4" M.N.P.T.	
Standard Return Connections*	(2) 1" M.N.P.T.	

* Refer to installation manual for optional steam connections. REV 4/15/14



PLAN VIEW



Pellerin Milnor Corporation, PO Box 400, Kenner, LA 70063 USA,
Phone 504.712.7656 Toll Free: 800.469.8780 Fax: 504.468.3094

www.milnor.com